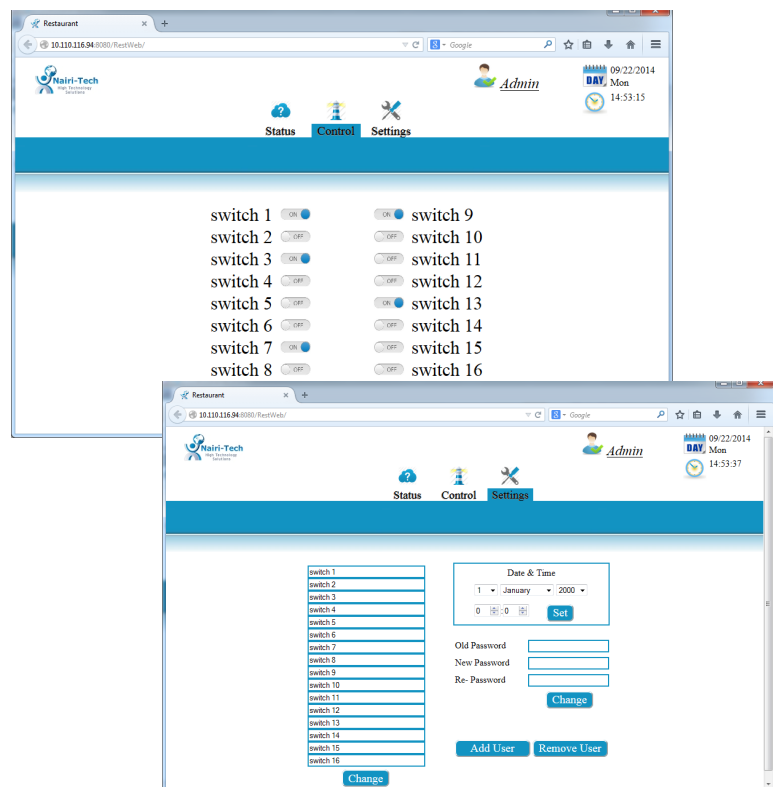


Electric Equipment Remote Control System

Overview

The system has been designed for autonomous remote control and monitoring of electrical equipment according to a predetermined schedule. The system can be used for remote management, configuration and status monitoring of the equipment using any gadget equipped with Wi-Fi adapter.

The system can be useful for using in restaurants, industrial facilities, in server rooms, etc.



Features

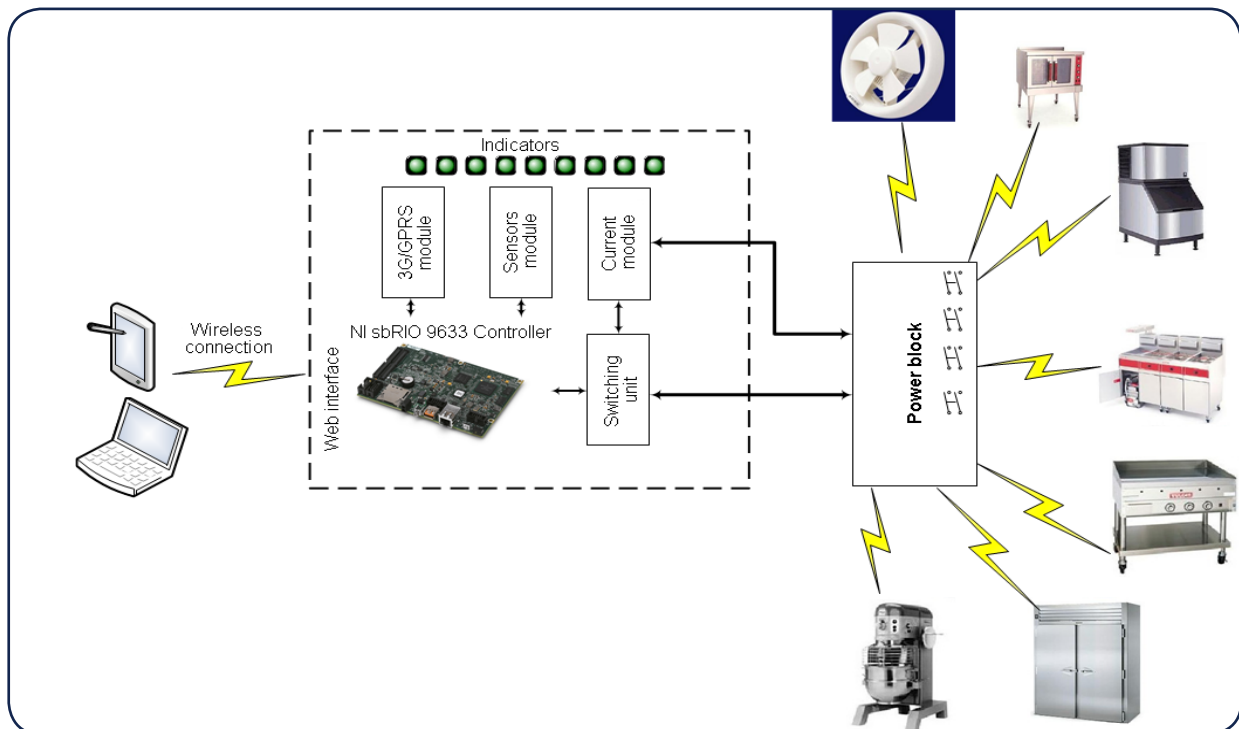
- Remote monitoring of electrical equipment status
- Remote equipment control via a wireless network or via the Internet
- Autonomous control of electric equipment according to a given schedule
- E-mail notification about any failure
- SMS notification about emergency situations at the facility
- Electric equipment switching ON and OFF when signal is sent to the emergency inputs
- Climate monitoring in the room and the electrical equipment power switching OFF in the violation of normal conditions
- Power consumption monitoring of electrical equipment
- Possibility of integration with security systems

Software

The control software installed and running on a single board RIO (sbRIO) controller. Remote control performed by means of a computer or tablet via Web interface, avoiding the installation of any additional software or drivers to the managed device.

The program has authorization for preventing unauthorized access to the system. The program allows to set start and stop time of each equipment individually, depending on the time of the day and day of the week.

Names of equipment can be inputted by the operator in the settings menu of the software. There is a possibility to individually set the action for triggering an alarm signal in the inputs. Action in the violation of climatic parameters can also be programmed from the program menu.



Expansion Module

Module	Description
3G/GPRS module	The module for access to the system via the Internet, as well as for sending SMS and e-mail messages.
Current module	The module is designed for continuous monitoring of current consumption up to 10 channels. When the measured current value out of the allowable range, the equipment is automatically turned off and the appropriate report is generated.
Sensors module	The module is designed for continuous monitoring of climatic parameters in the room.